



# GOLDEN STATE INSTRUMENT CO.

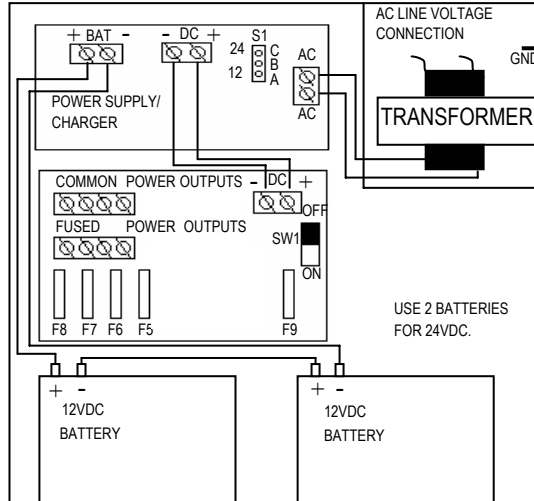
## CCTV CAMERA POWER SUPPLY "FUSELESS"

**GS-1204PBF**

### INSTALLATION INSTRUCTIONS

After mounting unit in desired location:

- Connect AC transformer leads to 115VAC main power (supplied).
- Voltage switches should be set per desired output as shown below (see switch position on table).
- Connect cameras to outputs (attention to polarity).
- Battery connection (connect two 12VDC batteries in series for 24VDC).
- ON and OFF switch controls 1-4 outputs.
- Enclosure dimensions: 15.75" x 12.25" x 4.75"



MODEL	DC OUTPUT SPEC	SWITCH POSITION	AC INPUT SPEC	PDB
GS-1204PBF (FUSELESS)	12VDC 4 AMPS 24VDC 4 AMPS	A B B C	115VAC. 1.75A	2

14256 Doolittle Drive · San Leandro, CA 94577 · 1-800-227-2330 · Fax(510)352-5988  
 Website: [www.goldenstateinst.com](http://www.goldenstateinst.com) · E-mail: [gsi@goldenstateinst.com](mailto:gsi@goldenstateinst.com)