



GOLDEN STATE INSTRUMENT CO.

GS-636 IRC GOLD SERIES

1/3" Color Infrared Illuminator Bullet Camera

The Color Infrared Illuminator Bullet Camera incorporates an advanced, light sensor and a high performance DSP (Digital Signal Processor) in order to provide 60dB S/N, and Zero Color Rolling.

The units are suitable for a wide range of applications and for installation in all types of locations.

Features:

- Applications for the camera include operating at night and a transmission range of approximately to 60 to 80 feet indoor.
- Use high-speed IR LED (30 pcs) , warranty 90-day
- Transmission angle: 60°
- Very low smear, 6dB better than average
- High quality picture, aesthetic and easy to install
- Digital AGC control
 - This AGC function provides a clear image in low light conditions
- Auto high speed white balance zero color rolling
- Auto Exposure (AE)
 - Camera can adjust to most light source conditions.
- Gamma correction
 - Adding Gamma correction allows a good picture in a very bright or very dark environment.
- Built-in a new 20 bit digital signal processing chip.

SPECIFICATIONS :

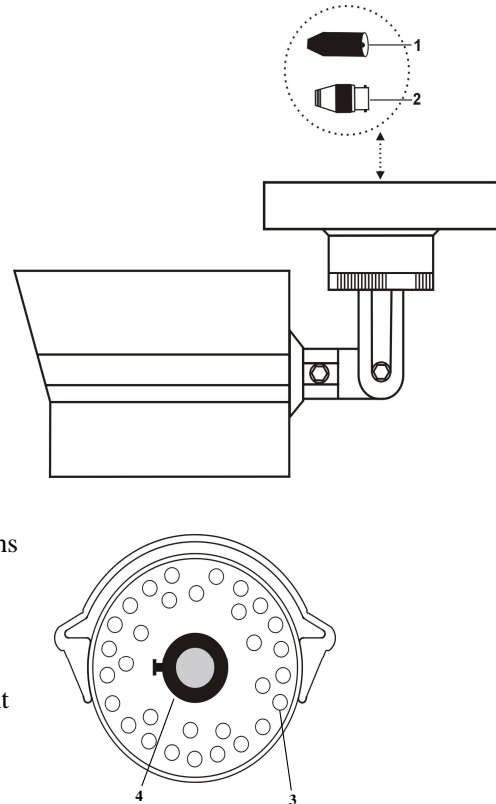
TV System	NTSC / PAL
Image Sensor	1/3-inch Sony Super HAD* CCD Image Sensor
CCD Total Pixels	542 (H) ×496(V) / 542(H) × 586(V)
CCD Effective Pixels	512 (H) ×492(V) / 512(H) × 582(V)
Scanning System	525 lines, 60 fields/sec. / 625 lines, 50 fields/sec.
SYNC System	Internal
Minimum illumination	0 Lux (LED ON) 0.5Lux (LED OFF)
Lens	3.7 mm F2.0
Resolution	480 TV lines (Max.)
Signal to Noise Ratio	Better than 52 dB (AGC OFF) Typical 60dB
White Balance	Auto high speed white Balance (1 FRAME)
White Balance Range	AWC, ATW(3200-10000 °K) / FIX (3200 °K)
Auto iris	A.E.S.
Electronic Shutter	1/60-1/120,000 sec 1/50-1/120,000 sec
Video Output	1.0Vp-p composite video @ 75 ohm
Gamma Correction	0.45
Operating Temperature	-20 °C to 50 °C
Operating Humidity	Within 85 % RH
Power Supply	DC 12V
Power Consumption	100 mA (LED OFF) 350 mA (LED ON)
Dimension / Net weight	3.1 " (80mm)×L6.3 " (160mm) / 787g

Specifications are subject to change without notice.

WARNING: Observe Correct Voltage and Polarity
Do Not Point Camera Directly Into Sun
Failure To Observe Warnings May Void Warranty

14256 Doolittle Drive · San Leandro, CA 94577 · 1-800-227-2330 · Fax(510)352-5988

Website: www.goldenstateinst.com · E-mail: gsi@goldenstateinst.com



FUNCTION:

1. DC12V Power Supply.
2. Video Signal Output Connector.
3. Infrared ray LED
4. CCTV lens

ACCESSORIES:

This package includes:

1. 1/3 inch color Infrared Illuminator Bullet Camera × 1pcs
2. Instruction sheet × 1pcs
3. Switching Power Transformer: 100-240VAC/12VDC 1.2A × 1pcs
4. Bracket × 1pcs
5. 12 inch DC Pigtail × 2pcs